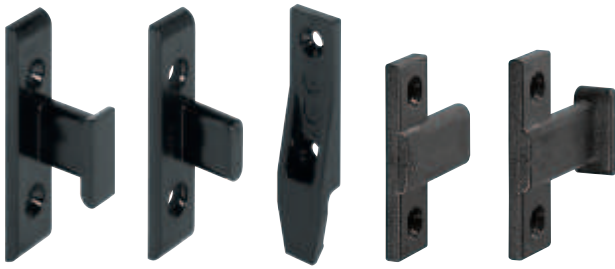


Häfele Keku suspension fitting



- > Do not treat with chemical solutions or aggressive greases
- > Do not adjust by hammering



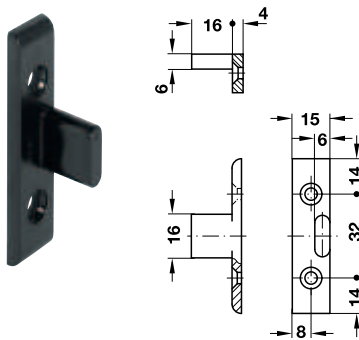
Note

The Häfele Keku R room system (store fixtures system) is based on the Keku range and can be found in product group 13.

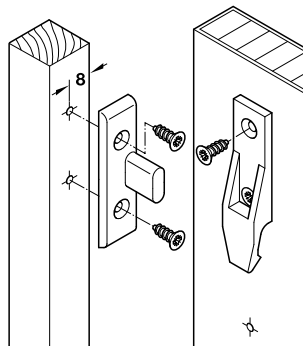
- > Area of application: For attaching panels to frame structures
- > Material: Plastic (polycarbonate)
- > Colour: Black
- > Temperature range: -100 to +135 °C
- > Suitable for screw fixing at intervals of 32 mm

→ **Keku EH Frame component**

For screw fixing to substructures



Installation

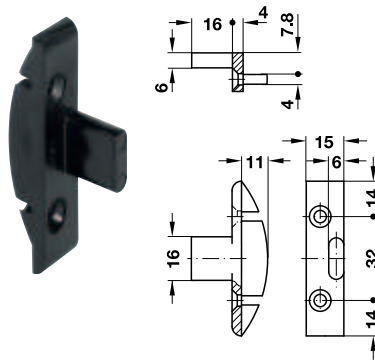


Installation	Cat. No.
With chipboard screws with countersunk head Ø 4.0 mm	262.49.365
With Varianta special screws with countersunk head Ø 3.0 or 5.0 mm	262.49.366

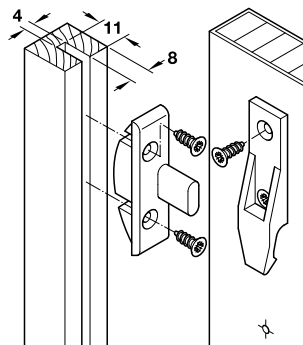
Packing: 200 pieces



For groove mounting and screw fixing to substructures



Installation



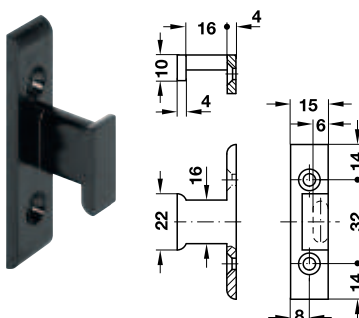
Installation	Cat. No.
With chipboard screws with countersunk head Ø 4.0 mm	262.49.360

Packing: 200 pieces

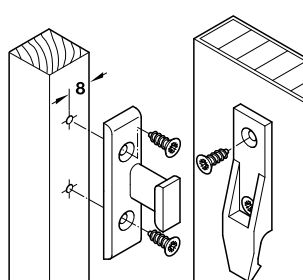


→ **Keku EHS Frame component**

For screw fixing to substructures, with side guide



Installation



Installation	Cat. No.
With chipboard screws with countersunk head Ø 4.0 mm	262.49.367
With Varianta special screws with countersunk head Ø 3.0 or 5.0 mm	262.49.368

Packing: 200 pieces



Functionality

The side guide

- > prevents the workpiece from slipping sideways
- > keeps the workpiece edges parallel
- > creates a lateral connection in conjunction with the panel



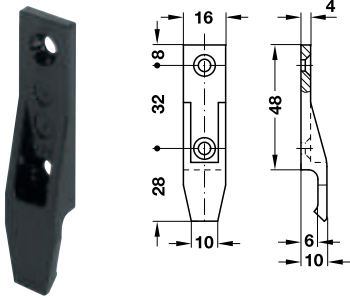
→ Keku Panel component

> Installation: For screw fixing to panel with chipboard screws \varnothing 4.0 mm or Varianta special screws \varnothing 3.0 mm or 5.0 mm

Note

The combined use of panel components with and without lip on one panel reduces the overall clip-in function.

With lip

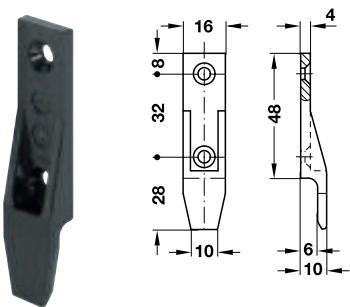


Installation	Cat. No.
With chipboard screws with countersunk head \varnothing 4.0 mm	262.49.356
With Varianta special screws with countersunk head \varnothing 3.0 or 5.0 mm	262.49.357

Packing: 200 pieces



Without lip, for panels that are frequently removed

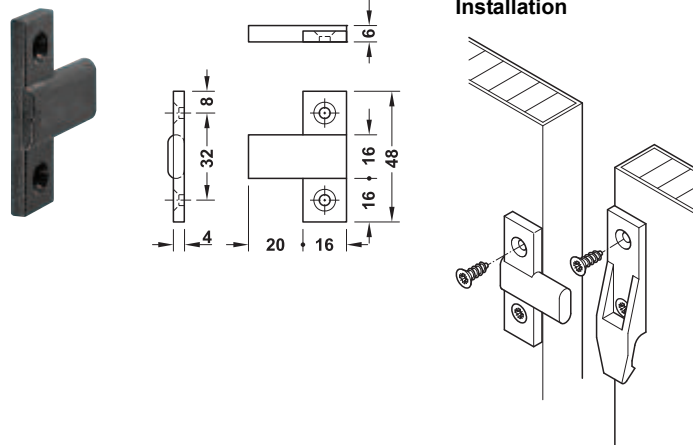


Installation	Cat. No.
With chipboard screws with countersunk head \varnothing 4.0 mm	262.49.350
With Varianta screws with countersunk head \varnothing 3.0 or 5.0 mm	262.49.351

Packing: 200 pieces



→ Keku EH Panel component

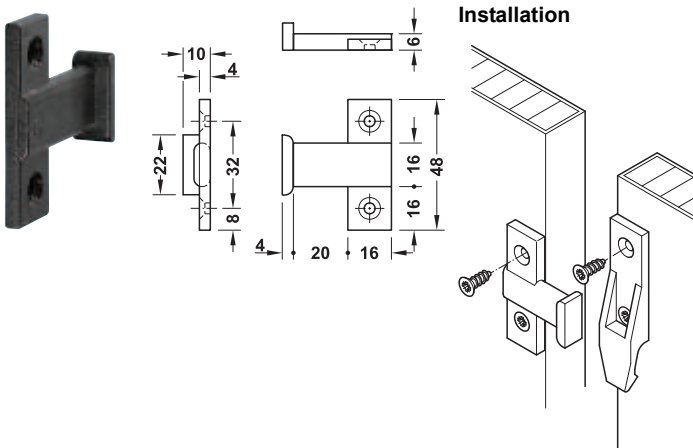


Installation	Cat. No.
With chipboard screws with countersunk head \varnothing 4.0 mm	262.49.358
With Varianta special screws with countersunk head \varnothing 3.0 mm or 5.0 mm	262.49.359

Packing: 200 pieces



→ Keku EHS Panel component



Installation	Cat. No.
With chipboard screws with countersunk head \varnothing 4.0 mm	262.49.369
With Varianta special screws with countersunk head \varnothing 3.0 mm or 5.0 mm	262.49.370

Packing: 200 pieces



DGH-M-INT 2020, HDE-en, 05/19; Dimensional data not binding. We reserve the right to alter specifications without notice.



3

Connector Technology

Häfele Keku Push-in fitting



- > Do not treat with chemical solutions or aggressive greases
- > Do not adjust by hammering
- > Not for suspended loads such as ceiling panels



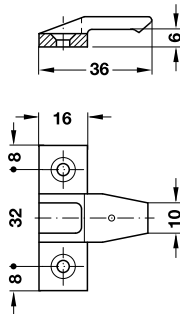
3

Connector Technology

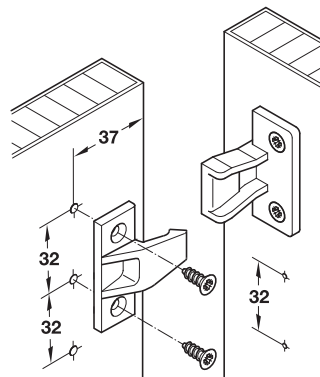
- > Area of application: For attaching panels to frame structures
- > Material: Plastic (polycarbonate)
- > Colour: Black
- > Temperature range: -100 to +135 °C
- > Suitable for screw fixing at intervals of 32

→ Keku AS Frame component

For screw fixing to substructures



Installation



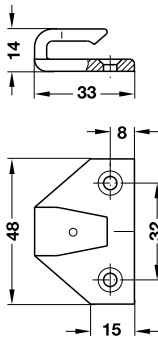
Installation	Cat. No.
With chipboard screws with countersunk head Ø 4.0 mm	262.50.368
With Varianta special screws with countersunk head Ø 3.0 or 5.0 mm	262.50.377

Packing: 200 pieces

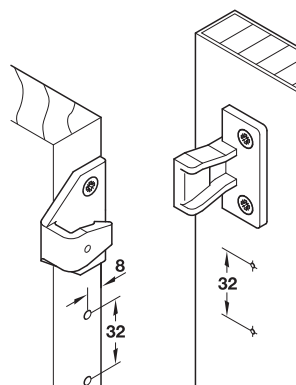


→ Keku ASR Frame component

For screw fixing to substructures



Installation



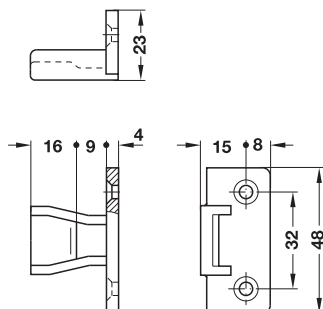
Installation	Cat. No.
With chipboard screws with countersunk head Ø 4.0 mm	262.50.390
With Varianta special screws with countersunk head Ø 3.0 or 5.0 mm	262.50.391

Packing: 200 pieces



→ Keku AS Panel component

For screw fixing to panels



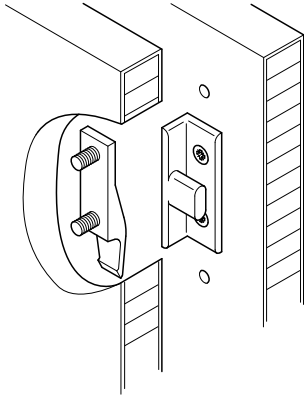
Installation	Cat. No.
With chipboard screws with countersunk head Ø 4.0 mm	262.50.359
With Varianta special screws with countersunk head Ø 3.0 or 5.0 mm	262.50.358

Packing: 200 pieces



DGH-M-INT 2020, HDE-en, 05/19; Dimensional data not binding. We reserve the right to alter specifications without notice.

Keku AD Double partition fitting



- > Do not treat with chemical solutions or aggressive greases
- > Do not adjust by hammering



Area of application

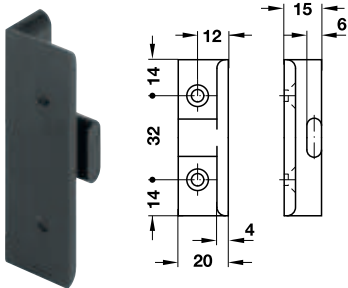
Double partition fittings are used for:

- > Attaching sound insulating material to the door leaf
- > Constructing cavity-type doors
- > Double partitions on cabinet sides in door alcoves
- > Connecting frame elements
- > Linking elements
- > Constructing sandwich elements
- > Installing lightweight partitions
- > Mounting wall elements (booth construction)
- > Door installation as panel construction

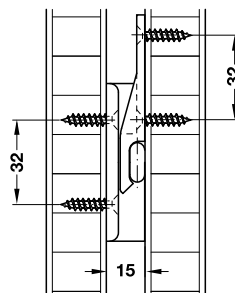
- > Material: Plastic (polycarbonate)
- > Colour: Black
- > Temperature range: -100 to +135 °C
- > Suitable for screw fixing at intervals of 32

→ Keku AD Angled component

AD 15 for panel distance of 15 mm, for screw fixing to substructures



Installation

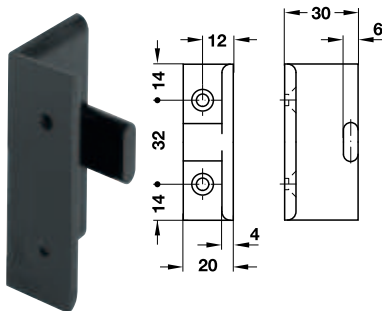


Installation	Cat. No.
With chipboard screws with countersunk head Ø 4.0 mm	262.51.380
With Varianta special screws with countersunk head Ø 3.0 or 5.0 mm	262.51.381

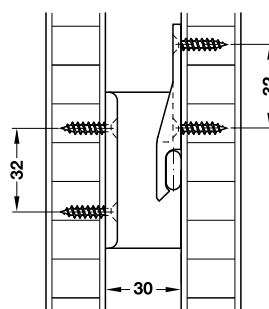
Packing: 200 pieces



AD 30 for panel distance of 30 mm



Installation



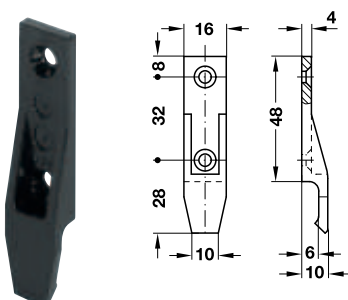
Installation	Cat. No.
With chipboard screws with countersunk head Ø 4.0 mm	262.51.390
With Varianta special screws with countersunk head Ø 3.0 or 5.0 mm	262.51.391

Packing: 200 pieces



→ Keku Panel component

With lip, for screw fixing to panel



Installation	Cat. No.
With chipboard screws with countersunk head Ø 4.0 mm	262.49.356
With Varianta special screws with countersunk head Ø 3.0 or 5.0 mm	262.49.357

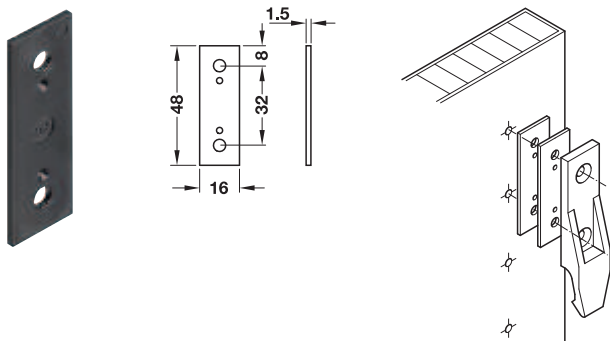
Packing: 200 pieces



Häfele Keku Spacer plate

→ Keku EH Spacer plate 1.5 mm

Stackable, self-fixing



- > Area of application: Spacer plate for EH panel components
- > Material: Polycarbonate (PC)
- > Colour: Black

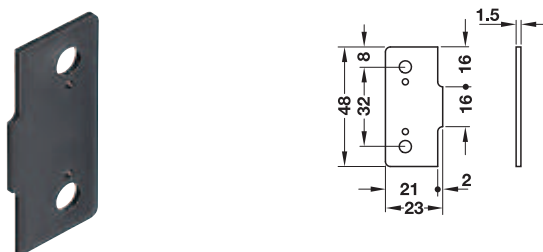
Installation	Cat. No.
With chipboard screws with countersunk head Ø 4.0 mm	262.49.353
With Varianta special screws with countersunk head Ø 3.0 or 5.0 mm	262.49.355

Packing: 400 pieces



→ Keku AS Spacer plate 1.5 mm

Stackable, self-fixing



- > Area of application: Spacer plate for AS panel components
- > Material: Polycarbonate (PC)
- > Colour: Black

Installation	Cat. No.
With Varianta special screws with countersunk head Ø 3.0 or 5.0 mm	262.50.354

Packing: 400 pieces



3